

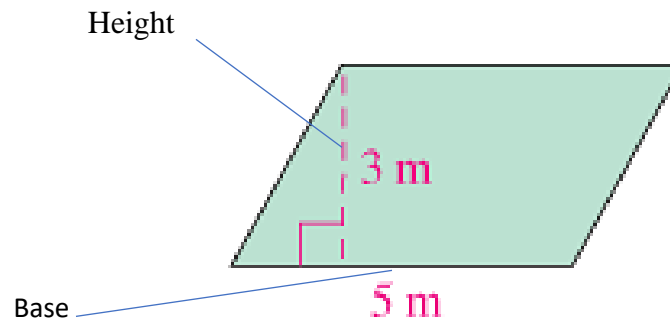
Chapter 9.1- Finding Area (ELL Assessment)

Directions: Find the area of each figure.

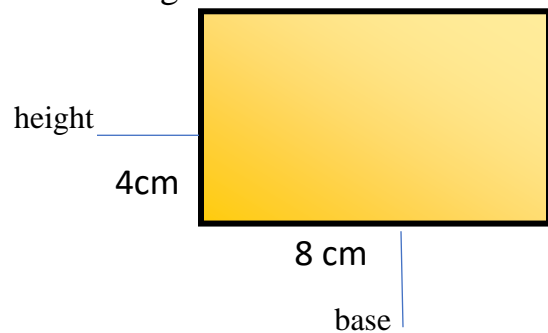
Key Vocabulary:

1. Area- The total inside measurement of the shape
2. Base- bottom distance of a shape
3. Height- the upward distance of a shape
4. Diagonal- the 2 lines that cross in a rhombus
5. Parallelogram- A four- sided figure
6. Rhombus- A parallelogram with equal acute angles
7. Formula- Equation to used to find area

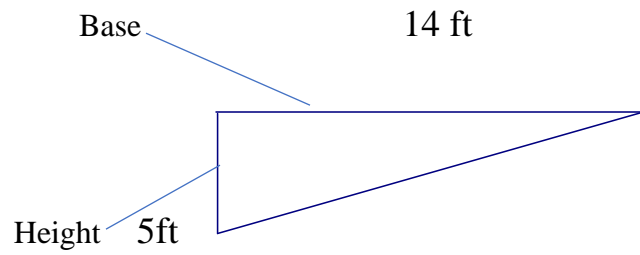
1. Find the area of a parallelogram with a base of 5m and a height of 3m.



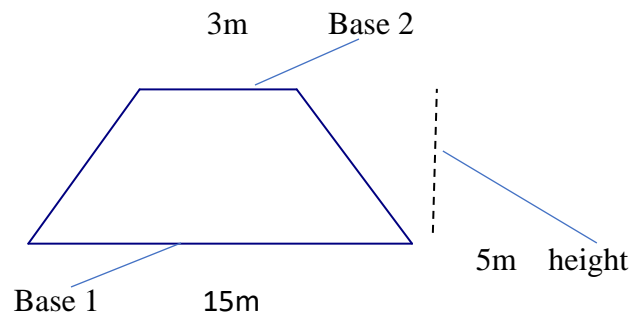
2. Find the area of a rectangle with base 8 cm and height 4cm.



3. Find the area of a triangle with a height of 5 ft and a base of 14 ft.



4. Find the area of the trapezoid with base 1=15m, base 2= 3m, and height= 5m.



5. Find the area of the rhombus with diagonal 1= 38 cm and diagonal 2= 55cm.

